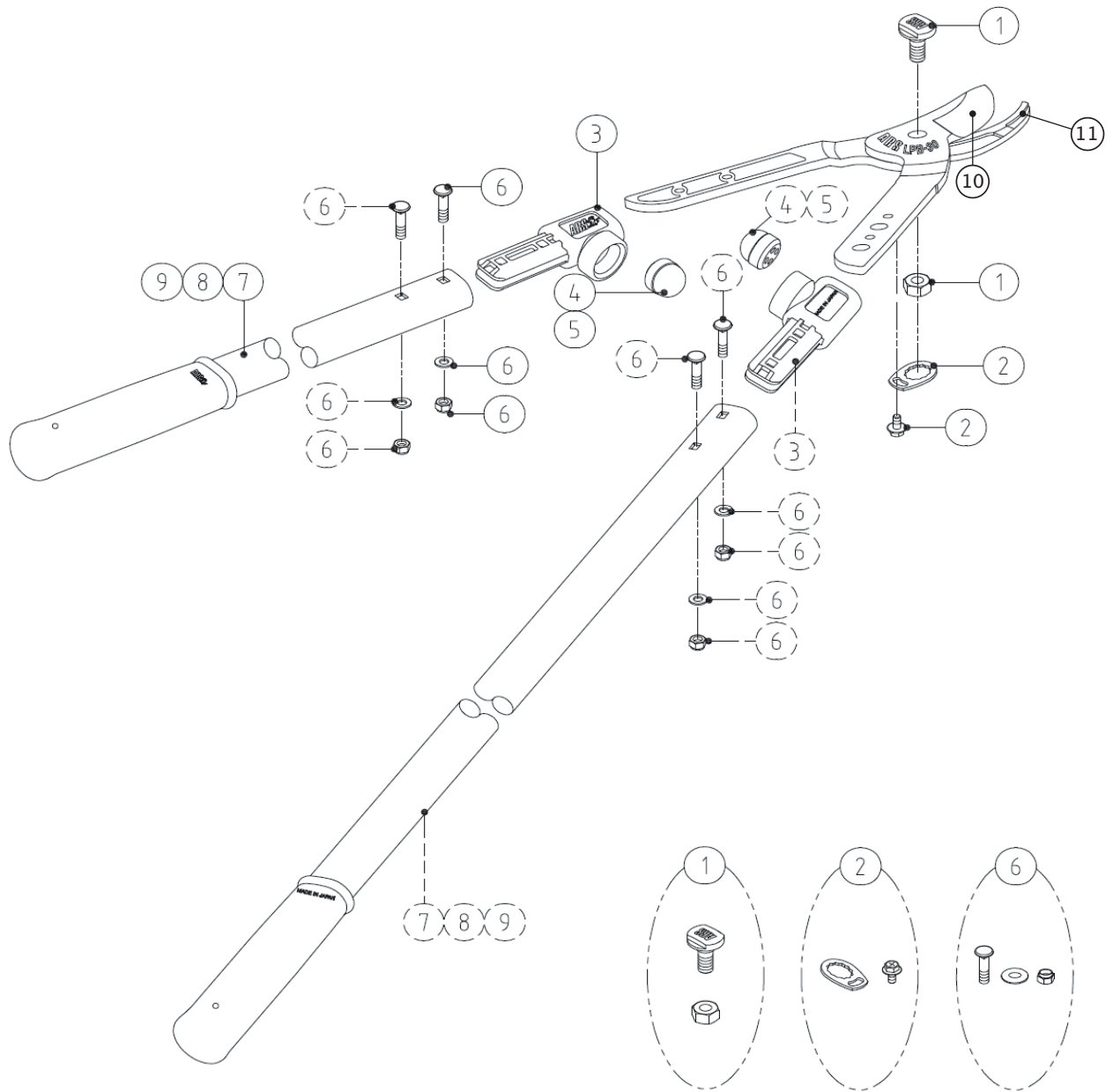


LPB-30S / LPB-30M / LPB-30L



| PARTS NO. | SPECIFICATION   | PARTS NO. | SPECIFICATION |
|-----------|---|-----------|---------------|
| ①         | SP-288 CENTRE BOLT & NUT FOR LPB SERIES                                 |           |               |
| ②         | SP-426 SCREW RETAINER SET FOR LPB SERIES & LPA-30L                      |           |               |
| ③         | SP-419 BUMPER SOCKET FOR LPB SERIES (1PC)                               |           |               |
| ④         | SP-420 SHOCK ABSORBER FOR LPB-20S/30S (1PC)                             |           |               |
| ⑤         | SP-421 SHOCK ABSORBER FOR LPB-20M/L AND LPB-30M/L (1PC)                 |           |               |
| ⑥         | SP-387 BLADE HOLDING BOLT,NUT & WASHER FOR LPA-30L AND LPB SERIES(/1PC) |           |               |
| ⑦         | SP-422 PIPE WITH GRIP FOR LPB-20S/30S (1PC)                             |           |               |
| ⑧         | SP-423 PIPE WITH GRIP FOR LPB-20M/30M (1PC)                             |           |               |
| ⑨         | SP-389 PIPE WITH GRIP FOR LPA-30L & LPB-20L/30L (1PC)                   |           |               |
| ⑩         | ARSLPB-30-1 REPLACEMENT CUTTING BLADE                                   |           |               |
| ⑪         | ARSLPB-30-2 REPLACEMENT COUNTER BLADE                                   |           |               |
|           |   |           |               |
|           |   |           |               |