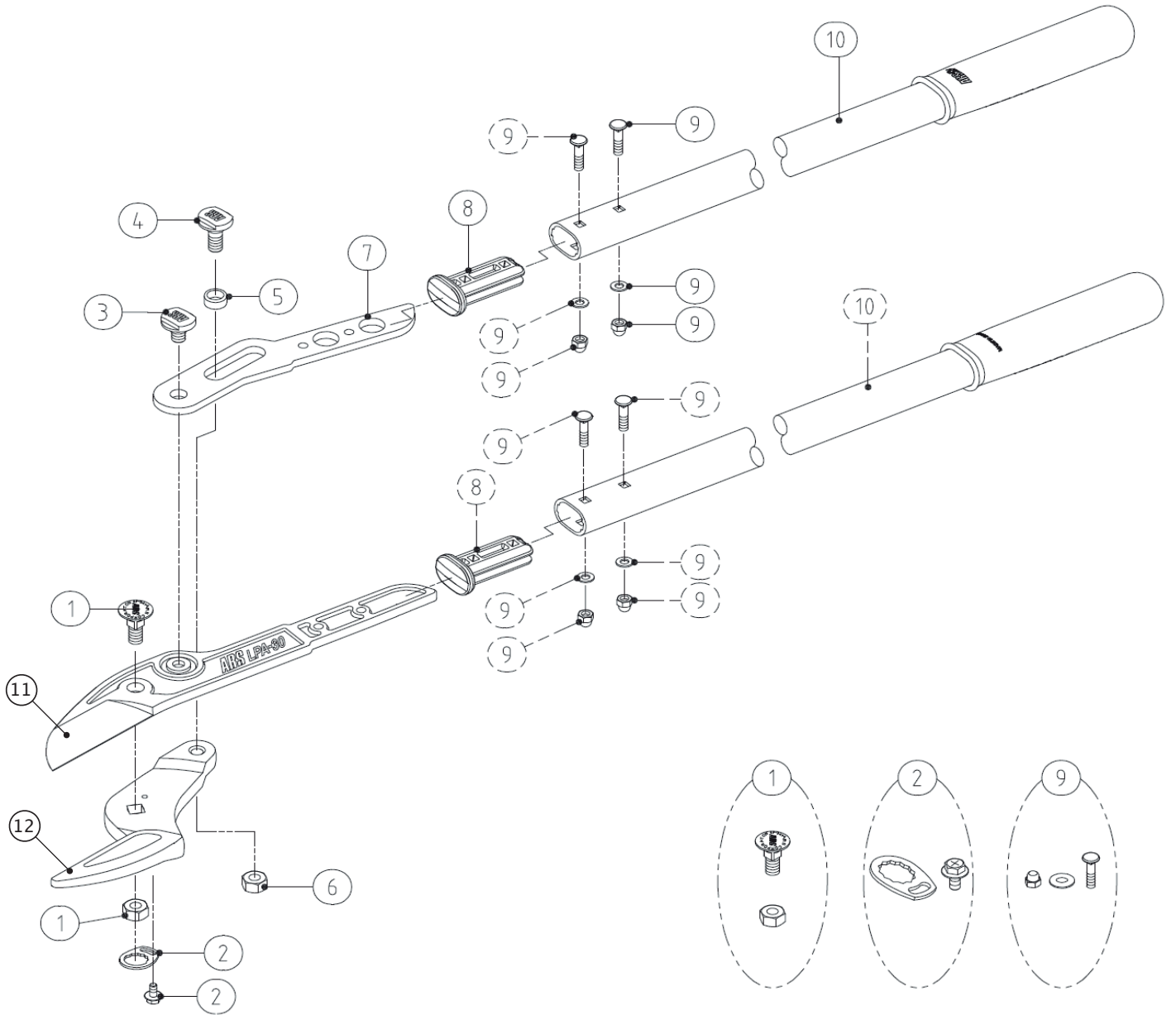


LPA-30L



PARTS NO.	SPECIFICATION	PARTS NO.	SPECIFICATION
①	SP-278 CENTER BOLT & NUT FOR LP-40 & LPA-30L	⑪	ARSLPA-30-1 REPLACEMENT CUTTING BLADE
②	SP-426 SCREW RETAINER SET FOR LPB SERIES & LPA-30L	⑫	ARSLPA-30-2 REPLACEMENT COUNTER BLADE
③	SP-385 FULCRUM BOLT OF LINK FOR LPA-30L		
④	SP-382 FIXING BOLT FOR LINK & COUNTER BLADE OF LPA-30L		
⑤	SP-386 LINK SPACER FOR LPA-30L		
⑥	SP-383 FIXING NUT FOR LINK & COUNTER BLADE OF LPA-30L		
⑦	SP-384 LINK FOR LPA-30L		
⑧	SP-388 BLADE HOLDING SOCKET FOR LPA-30L(1PC)		
⑨	SP-387 BLADE HOLDING BOLT,NUT & WASHER FOR LPA-30L AND LPB SERIES(/ 1PC)		
⑩	SP-389 PIPE WITH GRIP FOR LPA-30L & LPB-20L/30L (1PC)		