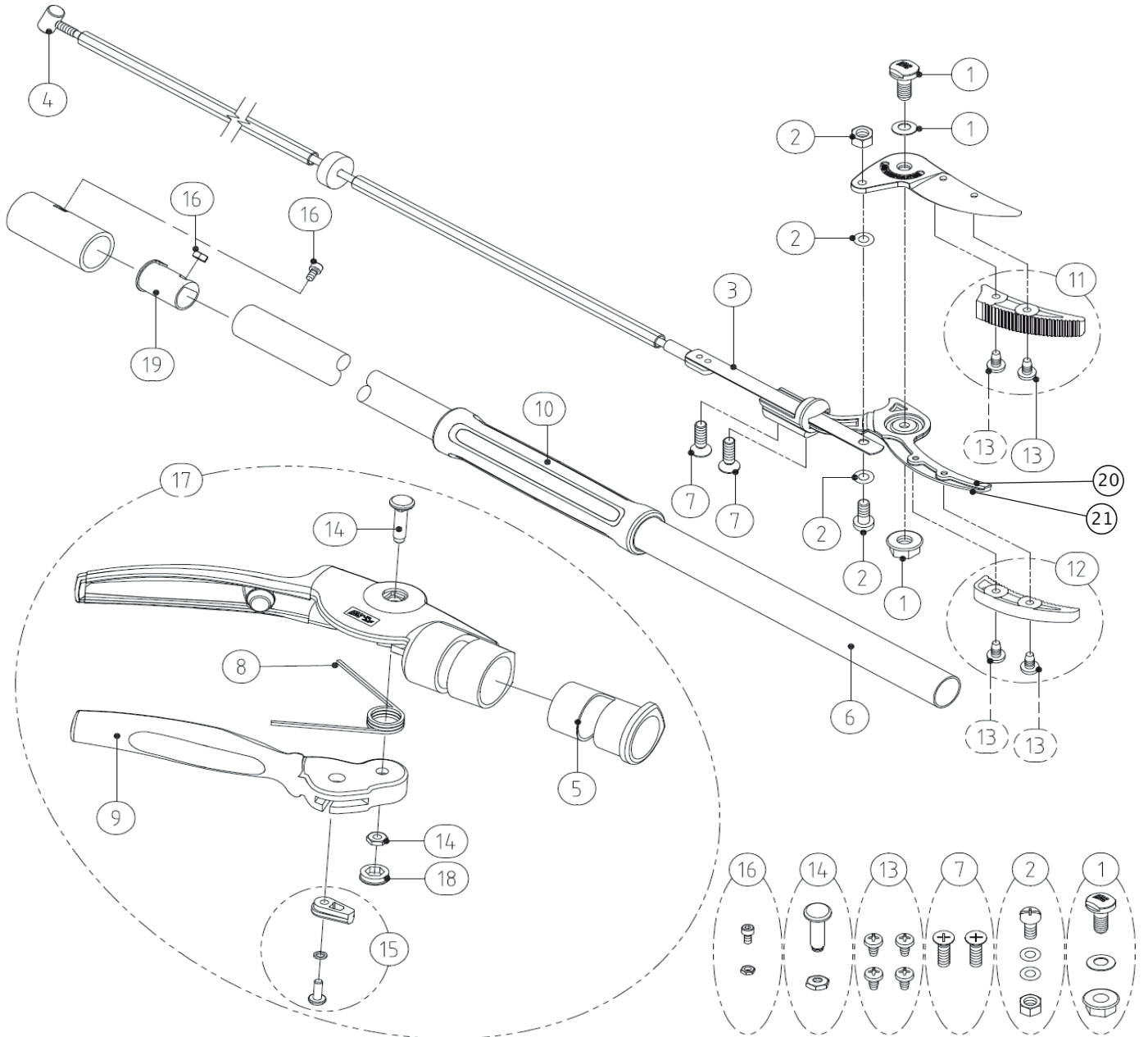


160R-1.8 / 180R-1.8



PARTS NO.	SPECIFICATION	PARTS NO.	SPECIFICATION
①	SP-334 BOLT,WASHER & NUT FOR ZR/ZF SERIES	⑪	SP-351 HOLDING DEVICE FOR THE CUTTING BLADE WITH 2 SCREW FOR 160ZR/ZF
②	SP-74 SCREW,NUT & 2 WASHERS FOR THE HOOP OF ZR SERIES/160R-1.8/180R-1.8	⑫	SP-352 HOLDING DEVICE FOR THE COUNTER BLADE WITH 2 SCREW FOR 160ZR/ZF
③	SP-392 ROD FOR 160R/180R-1.8	⑬	SP-353 SCREWS FOR HOLDING DEVICE OF 160ZR/ZF 160R-1.8 (4PCS)
④	SP-338 ROD FIXING PART FOR ZR/ZF/160R/180R SERIES	⑭	SP-379 CENTER BOLT & NUT FOR GRIP OF ZR/ZF/160R/180R/180LR SERIES
⑤	SP-339 SLEEVE FOR THE GRIP OF ZR/ZF/160R/180R SERIES	⑮	SP-380 HANDLE LATCH LOCK SET FOR ZR/ZF/160R/180R/180LR SERIES
⑥	SP-393 PIPE FOR 160R/180R-1.8	⑯	SP-400 STOP SCREW & NUT FOR 160R/180R
⑦	SP-399 SCREW TO ATTACHED CUTTING BLADE FOR 160R/180R/ZF (2PCS)	⑰	SP-348 GRIP SET FOR ZR/ZF/160R/180R/180LR SERIES
⑧	SP-41 SPRING FOR LONG REACH PRUNER (INC ZR SERIES,150-0.6) (1 PC)	⑱	SP-414 NUT CAP FOR THE HANDLE OF ZR/ZF/160R/180R/180LR SERIES
⑨	SP-349 GRIP LEVER ONLY FOR ZR/ZF/160R/180R SERIES	⑲	SP-418 SLEEVE FOR STOP SCREW & NUT OF 160R/180R-1.8
⑩	SP-350 MIDDLE GRIP FOR ZR/ZF/160R/180R	⑳	ARS160ZF-1 REPLACEMENT BLADE SET
		㉑	ARS180ZF-1 REPLACEMENT BLADE SET