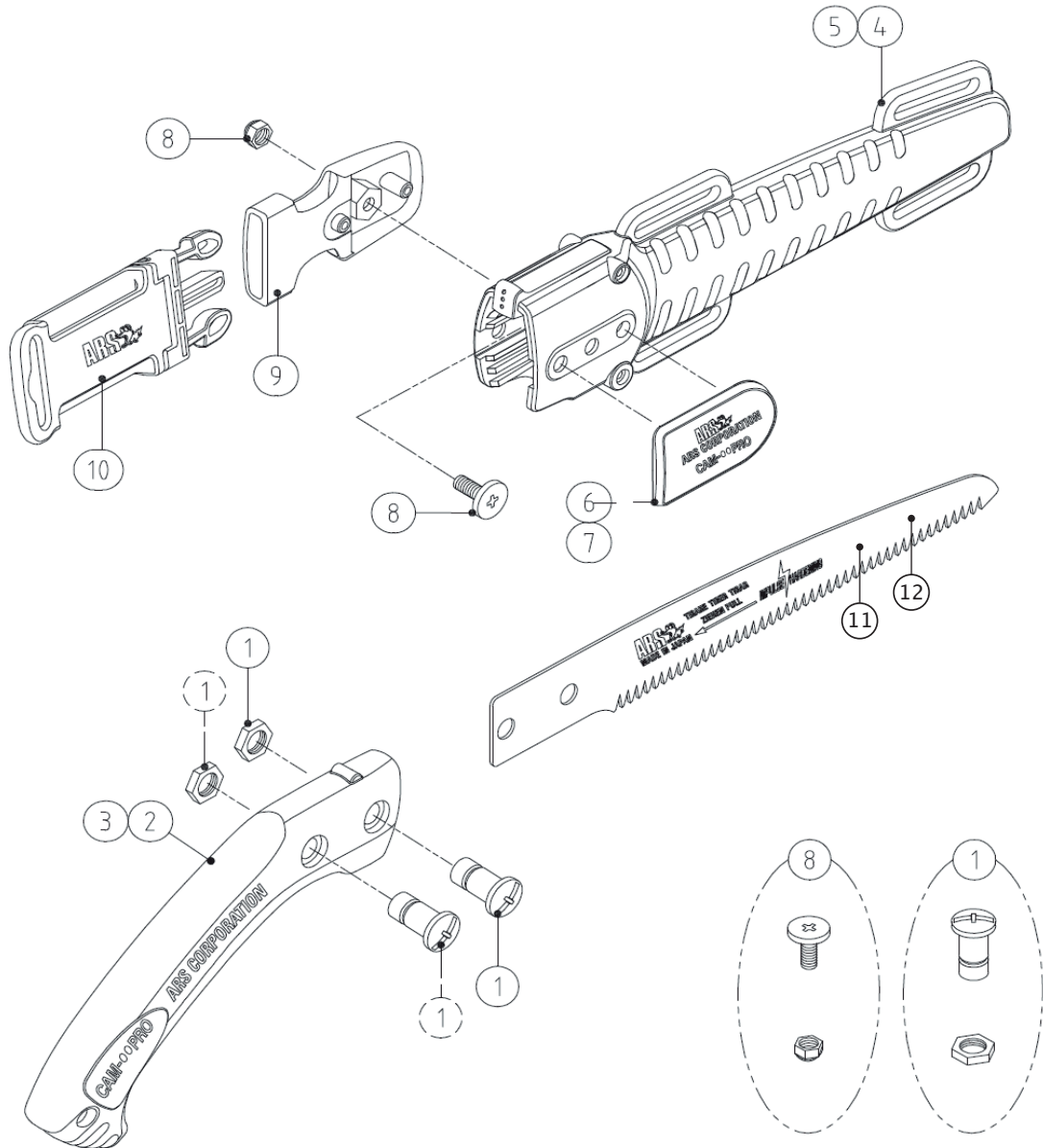


CAM-18PRO / CAM-24PRO



PARTS NO.	SPECIFICATION	PARTS NO.	SPECIFICATION
① SP-359	BOLT & NUT FOR CAM/CT/UV/CTR/ UVR-PRO SERIES (1PC EACH)		
② SP-360	GRIP FOR CAM-18PRO		
③ SP-361	GRIP FOR CAM-24PRO		
④ SP-362	SHEATH ONLY, FOR CAM-18PRO (WITHOUT NAME PLATE OR BELT C		
⑤ SP-363	SHEATH ONLY, FOR CAM-24PRO (WITHOUT NAME PLATE OR BELT C		
⑥ SP-364	NAME PLATE FOR CAM-18PRO		
⑦ SP-365	NAME PLATE FOR CAM-24PRO		
⑧ SP-366	BOLT & NUT FOR THE BELT CLIP OF CAM/CT/UV/CTR/UVR-PRO SERIES		
⑨ SP-367	BELT CLIP FOR CAM/CT/UV/CTR/ UVR-PRO SERIES		
⑩ SP-429	BELT FOR CAM/CT/UV-PRO SERIES		
⑪ ARS18PRO-1	SPARE BLADE		
⑫ ARS24PRO-1	SPARE BLADE		