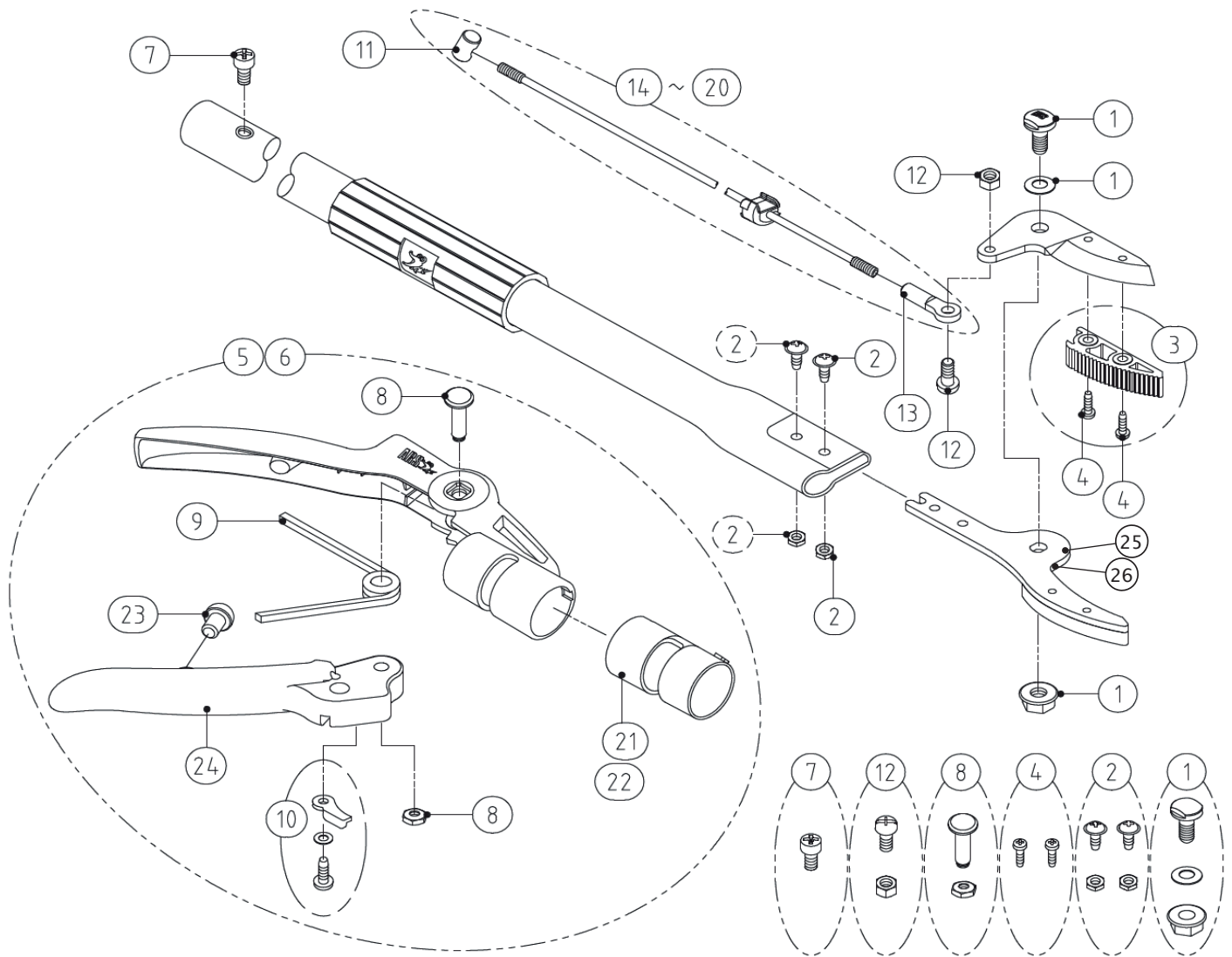


160-0.35 / 160-0.6 / 160-1.2 / 160-1.8 / 160-2.4 / 180-1.2 / 180-1.8 / 180-2.4



PARTS NO.	SPECIFICATION	PARTS NO.	SPECIFICATION
① SP-30	BOLT, WASHER & NUT FOR 160/180 SERIES	⑪ SP-43	ROD FIXING PART FOR LONG REACH PRUNER
② SP-31	SCREW & NUT FOR 160/180 SERIES (2PCS EACH)	⑫ SP-44	ROD FIXING BOLT & NUT FOR 150/160/180/ 190/ZF SERIES
③ SP-32	HOLDING DEVICE OF THE CUTTING BLADE WITH 2 SCREWS FOR 160 SERIES	⑬ SP-45	ROD CAP FOR LONG REACH PRUNER
④ SP-33	SCREW FOR 160 SERIES (2PCS)	⑭ SP-46	ROD SET FOR 160/180-1.8
⑤ SP-38-A	HANDLE SET FOR LONG REACH PRUNER, FOR 160-0.35/0.6/1.2/1.8	⑮ SP-48	ROD SET FOR 160/180-2.4
⑥ SP-38-B	HANDLE SET FOR LONG REACH PRUNER, FOR 160-1.8/2.4 & 180 SERIES	⑯ SP-81	ROD SET FOR 160-0.35
⑦ SP-452	STOP SCREW FOR THE HANDLE OF 180LR/ZF/160/180 SERIES	⑰ SP-82	ROD SET FOR 160-0.6
⑧ SP-40	SCREW & NUT FOR THE HANDLE OF LONG REACH PRUNER	⑱ SP-83	ROD SET FOR 160/180-1.2
⑨ SP-41	SPRING FOR LONG REACH PRUNER (INC ZR SERIES, 150-0.6) (1 PC)	⑲ SP-84	ROD SET FOR 160/180-2.1
⑩ SP-42	LATCH LOCK SET OF THE HANDLE FOR LONG REACH PRUNER	⑳ SP-153	ROD SET FOR 160-1.5
		㉑ SP-169	SLEEVE FOR THE GRIP OF 160-0.35/0.6/ 1.2/1.8 SERIES
		㉒ SP-168	SLEEVE FOR THE GRIP OF 160-2.1/2.4/ 180/190 SERIES
		㉓ SP-80	RUBBER CUSHION FOR THE HANDLE OF LONG REACH PRUNER
		㉔ SP-145	GRIP LEVER ONLY FOR 160/180/180L SERIES
		㉕ ARS160-1	REPLACEMENT BLADE SET
		㉖ ARS180-1	REPLACEMENT BLADE SET